

# Product data sheet

## Characteristics

# 9070T150D31

Transformer, Type T, industrial control, 150 VA,  
240/480 VAC primary / 120/240 VAC secondary, 1  
phase, 50/60 Hz, 55 °C



Product availability: Stock - Normally stocked in distribution facility

Price\*: 273.00 USD



### Main

Product or component type	Industrial Control Transformer
Rated power in VA	150 VA
Range of product	T

### Complementary

Phase	1 phase
Rated power in VA	150 VA
Temperature rise	55 °C
Electrical connection	Screw clamp terminals
Height	3.2 In (81.28 mm)
Width	3.75 In (95.25 mm)
Depth	3.59 In (91.19 mm)
Material	Copper winding
Product compatibility	FSC1

### Environment

Product certifications	CSA file LR37055 guide 184-N-90 UL listed file E61239
NEMA degree of protection	Not rated (open device)
Insulation temperature	221 °F (105 °C)

### Ordering and shipping details

Category	16200 - 9070 T (NOT TF) 50-200VA
Discount Schedule	CP8
GTIN	00785901322214
Nbr. of units in pkg.	1
Package weight(Lbs)	5.41 Lb(US) (2.454 kg)

Returnability	Yes
Country of origin	MX

### Packing Units

Unit Type of Package 1	PCE
Package 1 Height	3.80 In (9.652 cm)
Package 1 width	4.00 In (10.16 cm)
Package 1 Length	4.20 In (10.668 cm)

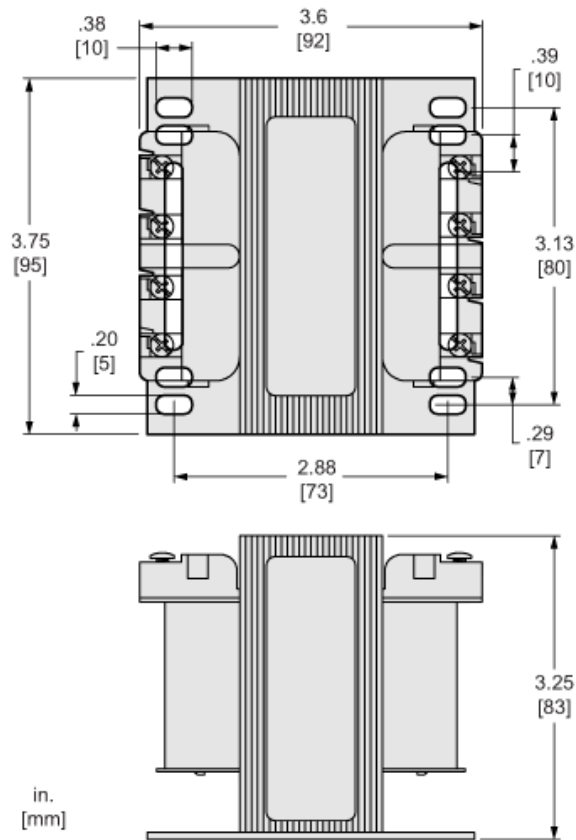
### Offer Sustainability

Sustainable offer status	Green Premium product
California proposition 65	WARNING: This product can expose you to chemicals including: Phenyl glycidyl ether, which is known to the State of California to cause cancer and birth defects or other reproductive harm. For more information go to <a href="http://www.P65Warnings.ca.gov">www.P65Warnings.ca.gov</a>
REACH Regulation	<a href="#">REACH Declaration</a>
EU RoHS Directive	Compliant <a href="#">EU RoHS Declaration</a>
Mercury free	Yes
RoHS exemption information	<a href="#">Yes</a>
China RoHS Regulation	<a href="#">China RoHS Declaration</a>
Environmental Disclosure	<a href="#">Product Environmental Profile</a>
PVC free	Yes

### Contractual warranty

Warranty	10 Years
----------	----------

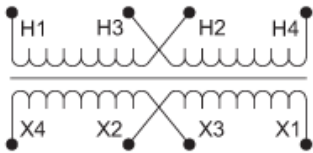
Approximate Dimensions



Connections and Wiring Diagrams

Voltage and Connection Options

Voltage Code	Voltages		Connections	
	Primary	Secondary	Primary	Secondary
D31	220 x 440 230 x 460 240 x 480	110/220 115/230 120/240	220 or 230 or 240: Connect to H1 and H4 Jumper H1 with H3 Jumper H2 with H4 440 or 460 or 480: Connect to H1 and H4 Jumper H2 with H3	110 or 115 or 120: Connect to X1 and X4 Jumper X1 with X3 Jumper X2 with X4 220 or 230 or 240: Connect to X1 and X4 Jumper X2 with X3
D55	110 x 220 115 x 230 120 x 240	110 x 220 115 x 230 120 x 240	110 or 115 or 120: Connect to H1 and H4 Jumper H1 with H3 Jumper H2 with H4 220 or 230 or 240: Connect to H1 and H4 Jumper H2 with H3	110 or 115 or 120: Connect to X1 and X4 Jumper X1 with X3 Jumper X2 with X4 220 or 230 or 240: Connect to X1 and X4 Jumper X2 with X3



Product Life Status : **Commercialised**